



Style "MAS" Valve Assembly

FEATURES

- Sizes 3/4" - 2"
- Cast Steel Body
- 316 Stainless Steel Trim
- Single-seated . . . Piston balanced . . . Direct acting
- Piston located above steam flow line for self-cleaning during operation
- Fully modulating . . . provides greater control sensitivity
- "Lifetime" Teflon chevron stem maintenance-free packing with stainless steel valve stem
- Quick-disconnect stem construction
- Non-sticking poppet . . . no chatter . . . no rattle
- Tight-closing
- Choice of end connections

GENERAL DESCRIPTION

The Robertshaw Type "MAS" valve is similar to the "MA" series but has a cast steel body for higher pressure and temperature service.

SPECIFICATION

Type: Single-seated, fully balanced

Sizes: 3/4" through 2"

Action: Direct-acting only
 (closes with downward stem movement)

..... Fully modulating in action.

Connections: Female threaded ends, 3/4" through 1-1/2"
 Class 300 ANSI flanges, 1" through 2"
 Class 150 ANSI flanges, 1-1/2" & 2"

Materials:

Valve Trim Seats and poppets 316 stainless steel

Valve Stem 316 stainless steel (highly finished)
 Quick-detach type

Stem Packing Teflon* chevrons (spring-loaded)

Valve Body Cast steel

Other Parts Stainless steel

Capacity: See C_v ratings in Dimensions table

Maximum Valve Design Ratings:

Maximum Pressure/Temperature:

Class 150: 285 psi @ 100° F

230 psi @ 300° F

Class 300: 740 psi @ 100° F

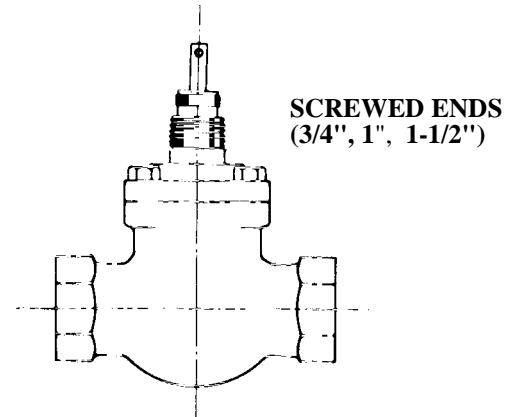
610 psi @ 450° F

Maximum Pressure Drop:

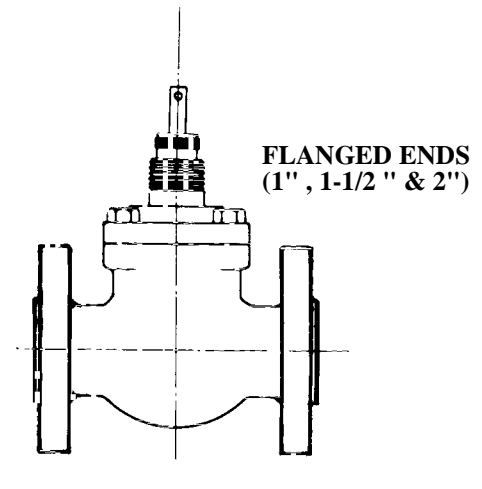
3/4", 1", 1-1/2" size: 250 psi

2" size: 150 psi

* Teflon is a registered trade name of DuPont Company



Direct-acting only



Type "MAS" used with self-actuated temperature regulator series.

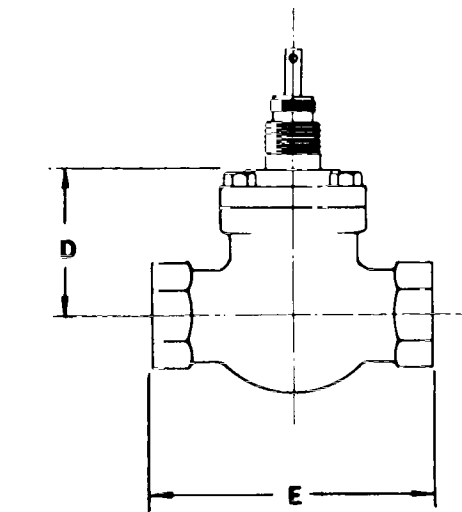
Maximum Recommended Pressure Drops, PSI*

Valve Size, In.	SATR SERIES							
	RT-1001	RT-1003	RT-1004	RT-1006	RT-1007	RT-1008	RT-1009	RT-1011
3/4	250	250	250	250	250	250	250	250
1	250	250	250	250	250	250	250	250
1-1/2	250	250	250	-	250	250	250	250
2	150	150	150	-	150	150	150	150

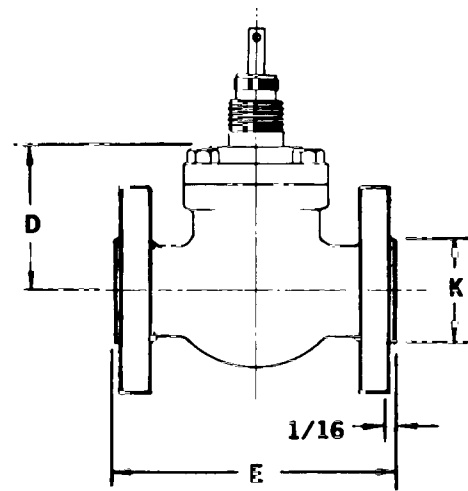
* Supply pressure to valve less any back pressure to the valve.

DIMENSIONS

Valve Size	C _v	Class	Ends	D	E	Flange Dia.	Flange Thickness	Bolt Circle	Number Bolts	Bolt Hole Din.	K	Stroke
3/4	10.5	300	Screwed	3-7/16	5-3/4							1/4
1	12	300	Screwed	3-7/16	5-3/4							5/16
1	12	300	Flanged	3-7/16	5-7/8	4-7/8	5/8	3-1/2	4	3/4	2"	5/16
1-1/2	30	150	Flanged	5-31/32	8-3/4	5"	9/16	3-7/8	4	5/8	2-7/8	7/16
1-1/2	30	300	Screwed	5-31/32	8-13/16							7/16
1-1/2	30	300	Flanged	5-31/32	9-1/4	6-1/8	13/16	4-1/2	4	7/8	2-7/8	7/16
2	49	150	Flanged	7-9/16	10"	6"	9/16	4-3/4	4	3/4	3-5/8	9/16
2	49	300	Flanged	7-9/16	10-1/2	6-1/2	13/16	5"	8	3/4	3-5/8	9/16



3/4", 1", 1 1/2" SIZES
(Screwed Ends)



1", 1 1/2", 2" SIZES
(Flanged Ends)

NOTE: Maximum factory test allowable leakage is 0.01% of rated capacity at 50, 75 and 100 psi.



Robertshaw Industrial Products
 1602 Mustang Drive
 Maryville, Tennessee 37801
 Phone: (865) 981-3100 Fax: (865) 981-3168
<http://www.robertshawindustrial.com>